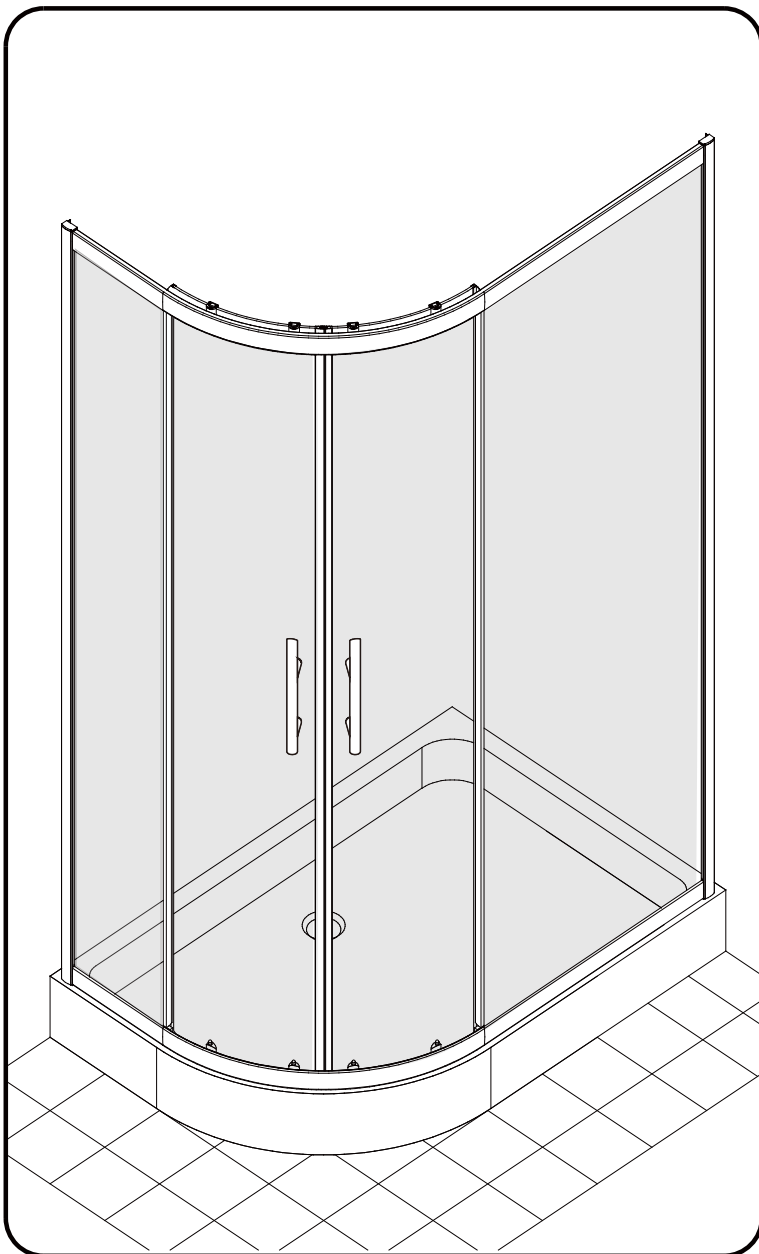


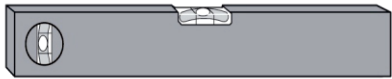
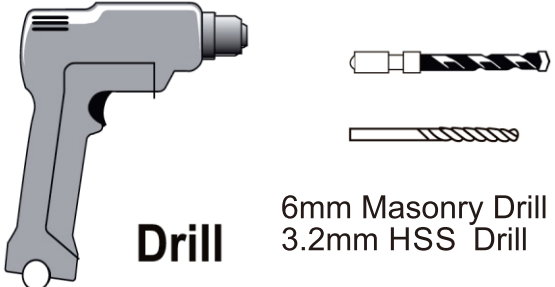
OCEANA  
**CRYSTAL6**

**CRYSTAL6 6mm OFFSET QUADRANT**

**INSTALLATION INSTRUCTIONS**



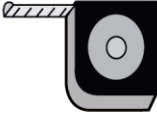
**Tools Required**



**Spirit level**



**Sealant Gun**



**Tape Measure**

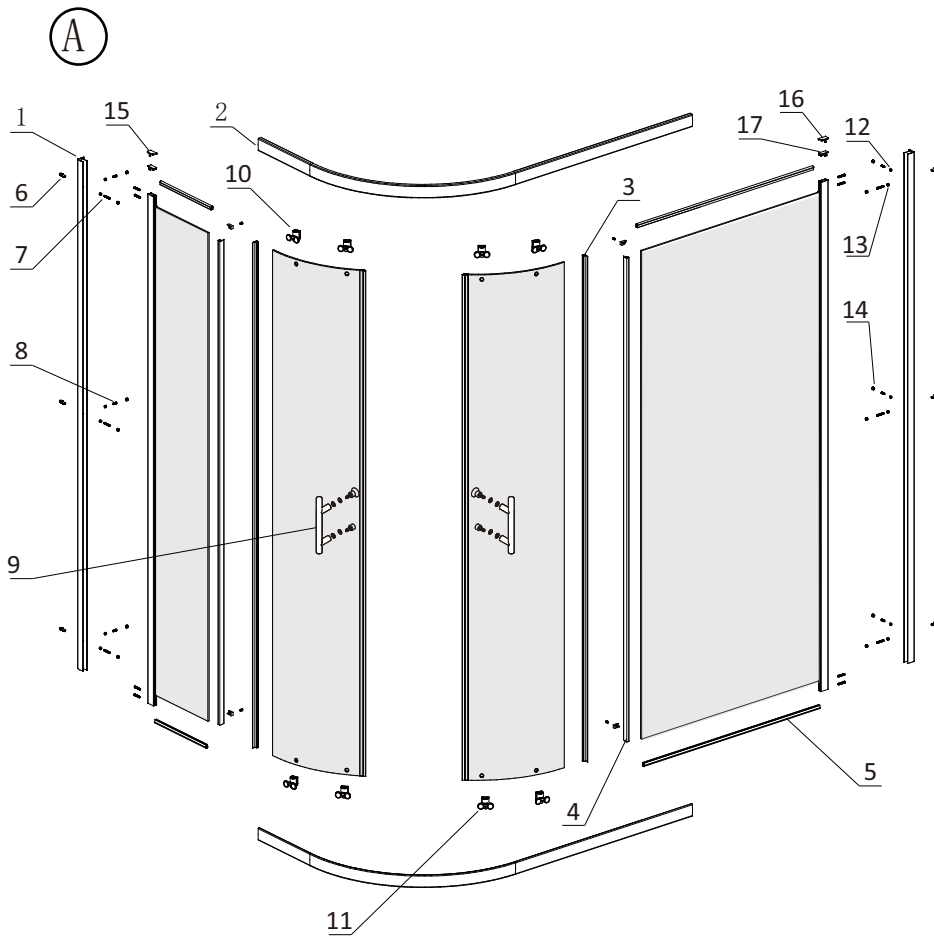


**Pencil**



**PH2 TYPE  
Screwdriver**

Please note no hand tools are supplied

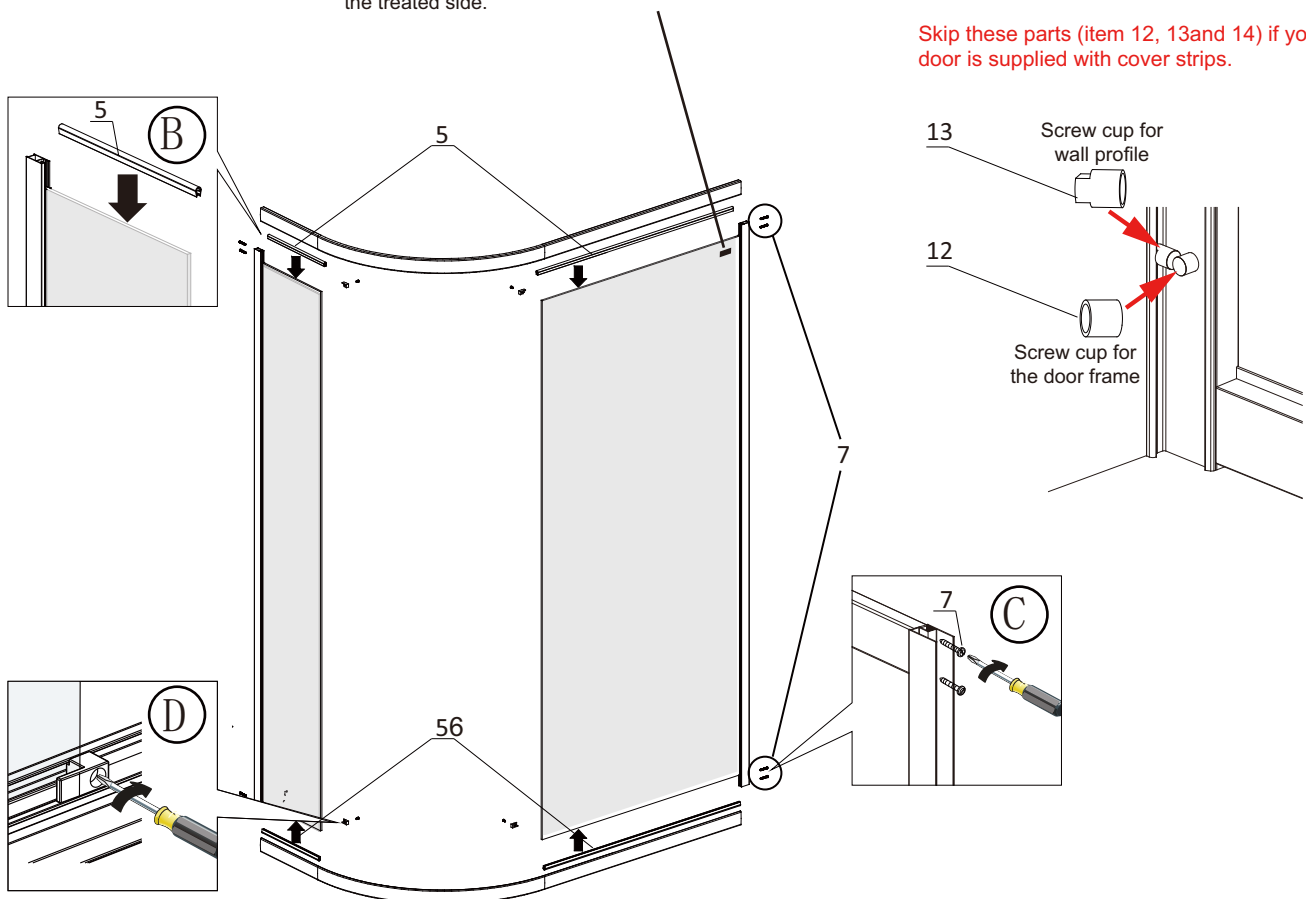


Item	Description	Image	Qty
1	Wall Channel		2
2	Top and Bottom Profile		2
3	Vertical seal-1874mm		2
4	Vertical seal-1811mm		2
5	Gasket		4
6	Wall Plug		6
7	Screw ST3.5x30		14
8	Screw ST4x10		6
9	Handle		2
10	Top Roller		4
11	Bottom Roller		4
12	Screw Cup A		6
13	Screw Cup B		6
14	Screw Cap		12
15	Standard Wall Profile Cap-LH		1
16	Standard Wall Profile Cap-RH		1
17	Upright Profile Cap		2

**Note:** If the glass has a glass treatment, ensure that the treated side is on the inside of the enclosure. The the treated side is on the inside of the enclosure. The the treated side.

**Note:** There are two different screw cups in the fitting kit. One is for the wall profile, the other one is for the door frame.

Skip these parts (item 12, 13 and 14) if your door is supplied with cover strips.

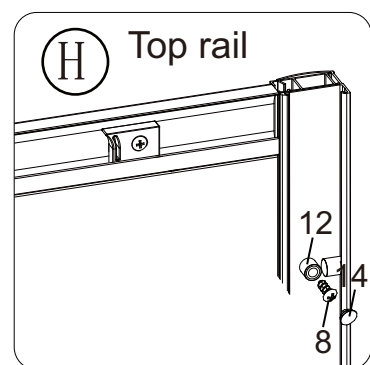
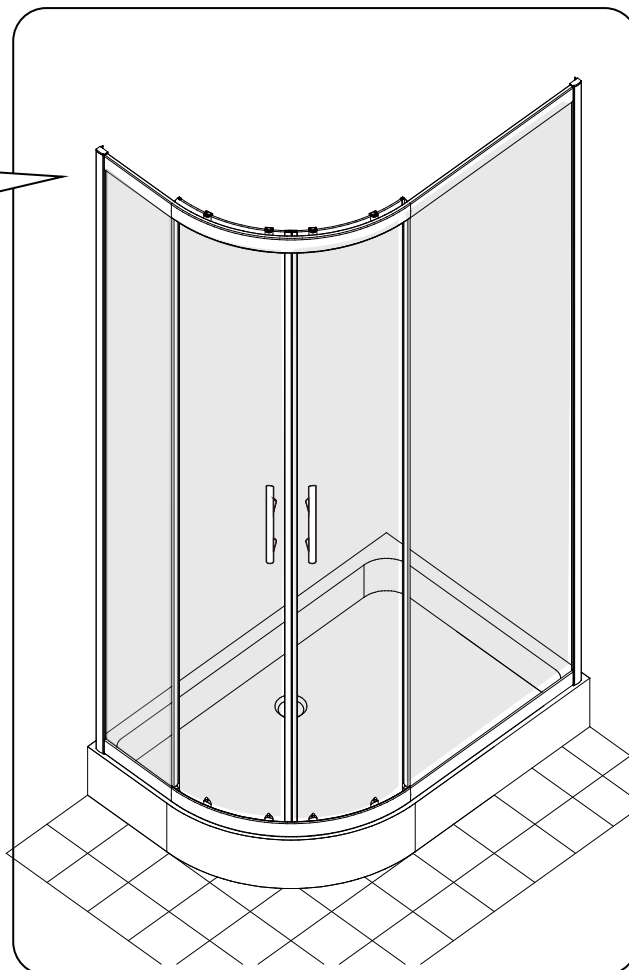
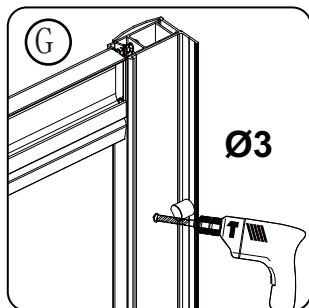
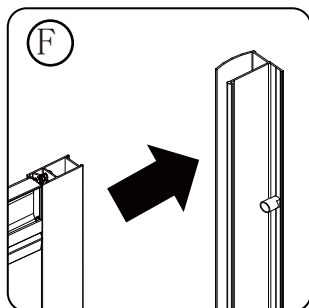
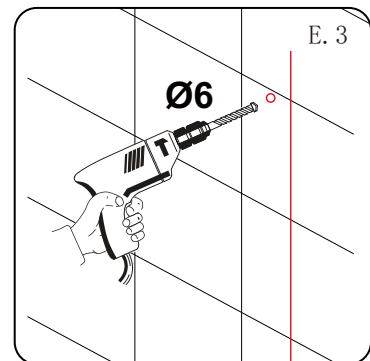
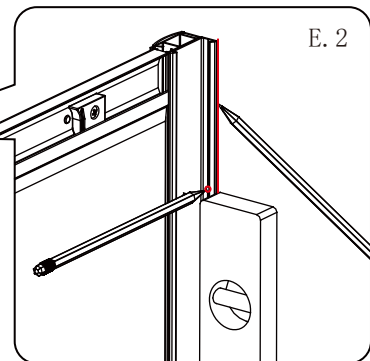
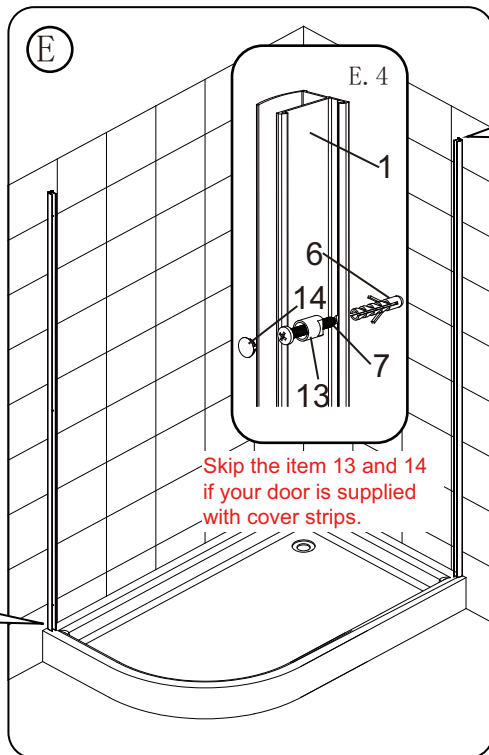
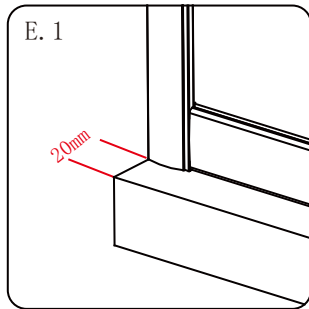


**E.1** Place the wall profiles onto the enclosure. Position the enclosure onto the tray. Ideally the enclosure should be positioned 20mm from the edge of the tray as shown. Centralize the enclosure onto the tray top rim and position vertically plumb using a spirit level.

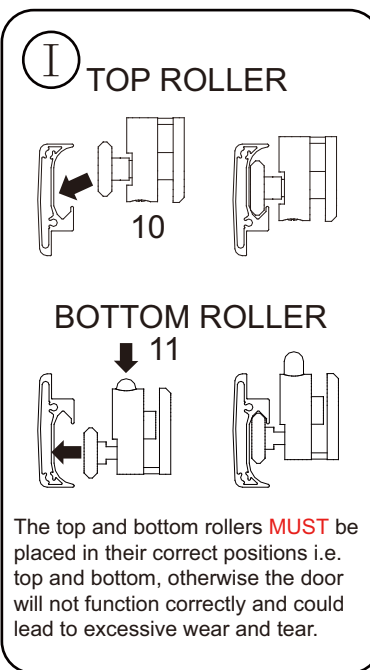
**E.2** Mark the position for fixing the wall profile using a pencil or a water soluble pen as shown.

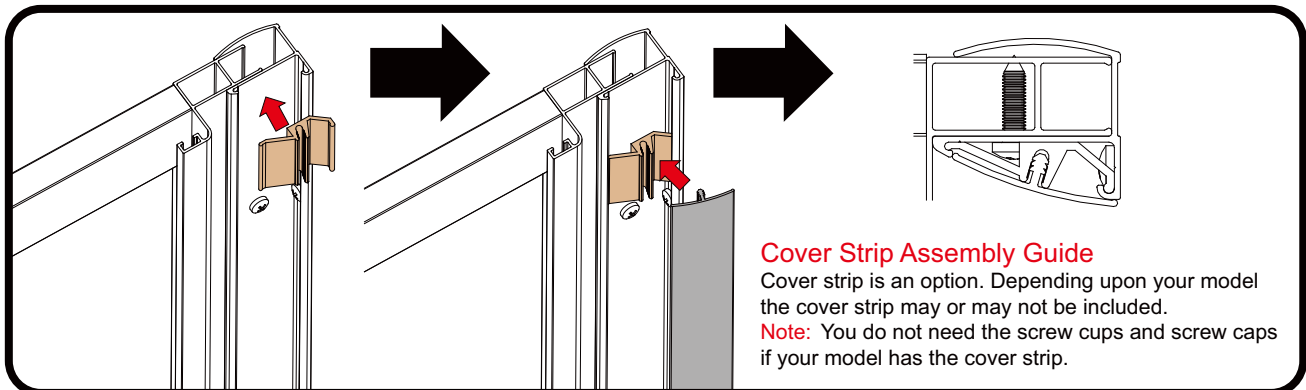
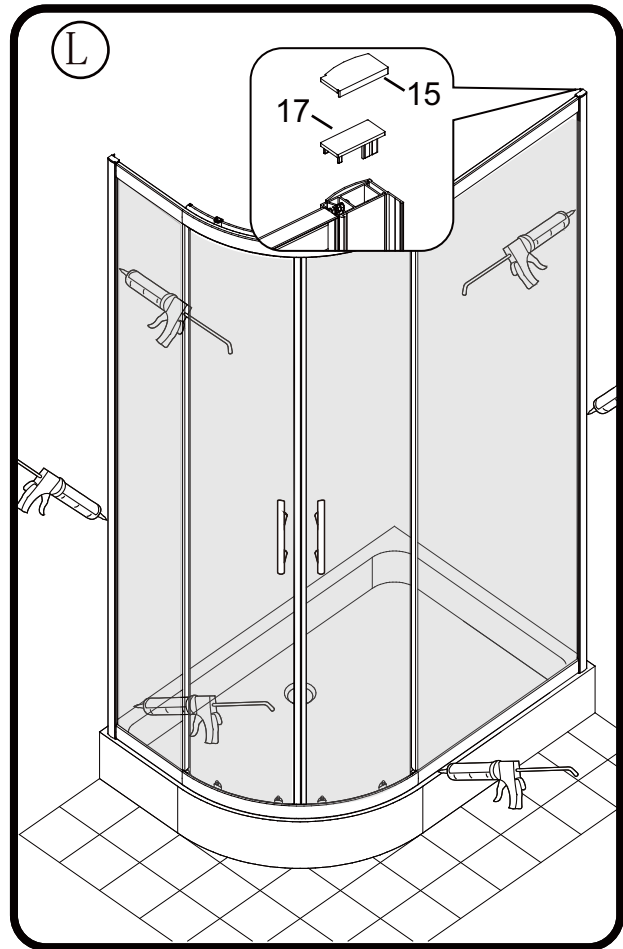
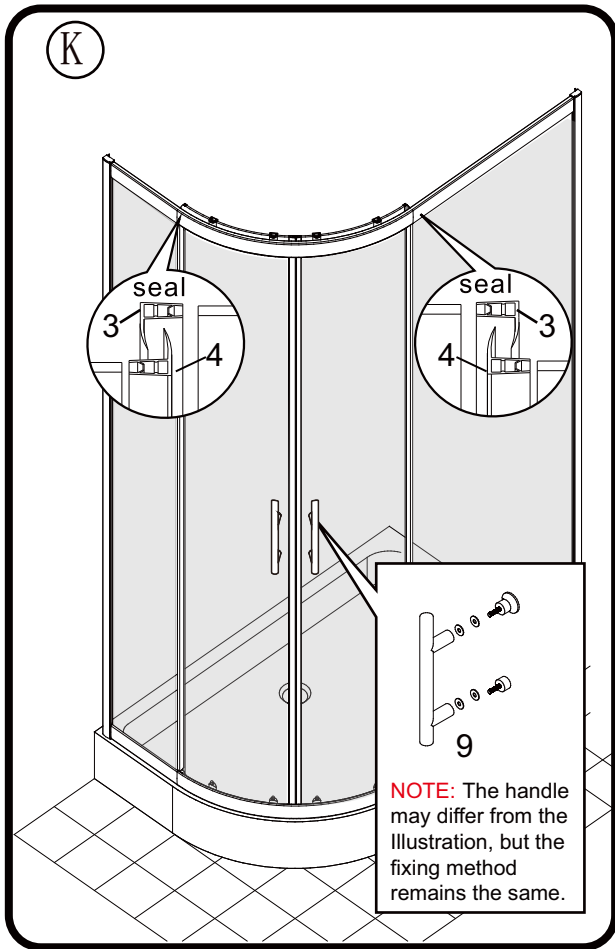
**E.3** Remove the enclosure then drill the holes to the wall using  $\text{Ø}6$  drill bit as shown.

**E.4** Insert the wall plugs into the wall holes. Then Secure the wall profile using ST3.5 x 30 screw and Screw Cup B. Then put the Screw cap on to hide the screw head.



Skip the item 12 and 14 if your door is supplied with cover strips.





**Tips - In cold weather the seal may be more difficult to fit. In this case it is advisable to warm the seal in some warm soapy water to make it more pliable.**

**Applying Silicone Sealant**

**Sealing Inside**

Seal from the top of the wall profile to the bottom on the **INSIDE** between the wall profile and the wall.  
**IMPORTANT:** Do not apply sealant on inside of tray.

**Sealing Outside**

Seal only along the bottom rail and glass on the **OUTSIDE** between the profile /glass and the tray. Also up between the wall profile and the wall.  
 Seal also the joints between the bottom profile and any upright profiles.

24 HRS



**DO NOT USE THE ENCLOSURE FOR 24 HOURS AFTER SEALING**